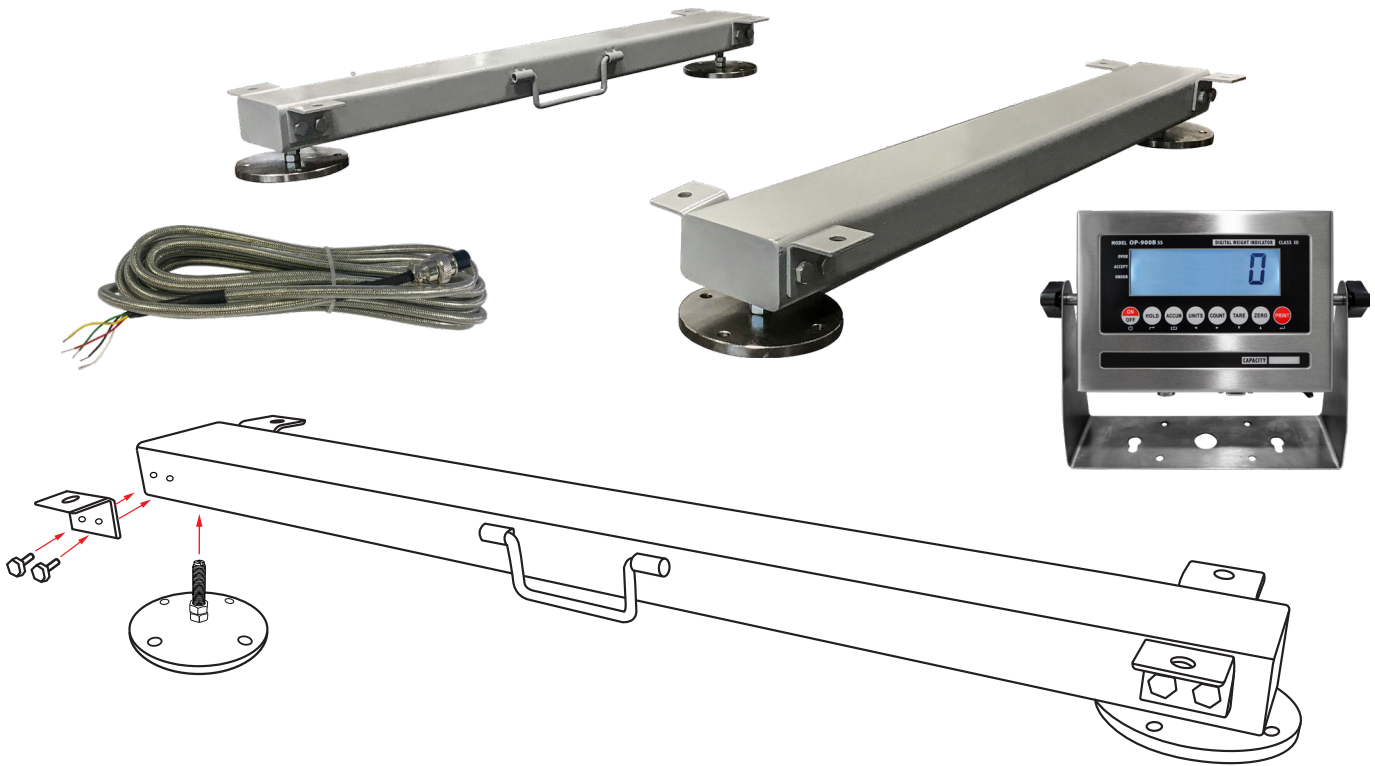


WEIGH BEAM INSTALLATION



Step 1: Unpack all items, You will have (1) Display Indicator, (1) Cable, (2) Weigh bars, (4) Feet, **Optional:** (8) Brackets, (16) Bolts

Step 2: If feet are not already installed, turn over weigh bars and screw in the feet

Step 3: Use the bolts to install the brackets to the weigh beams. These brackets are used for mounting platforms or containers to the beams.

Step 4: Connect both cables to the indicator securely

Step 5: With nothing on the weigh beams, turn on the indicator and you are ready to weigh