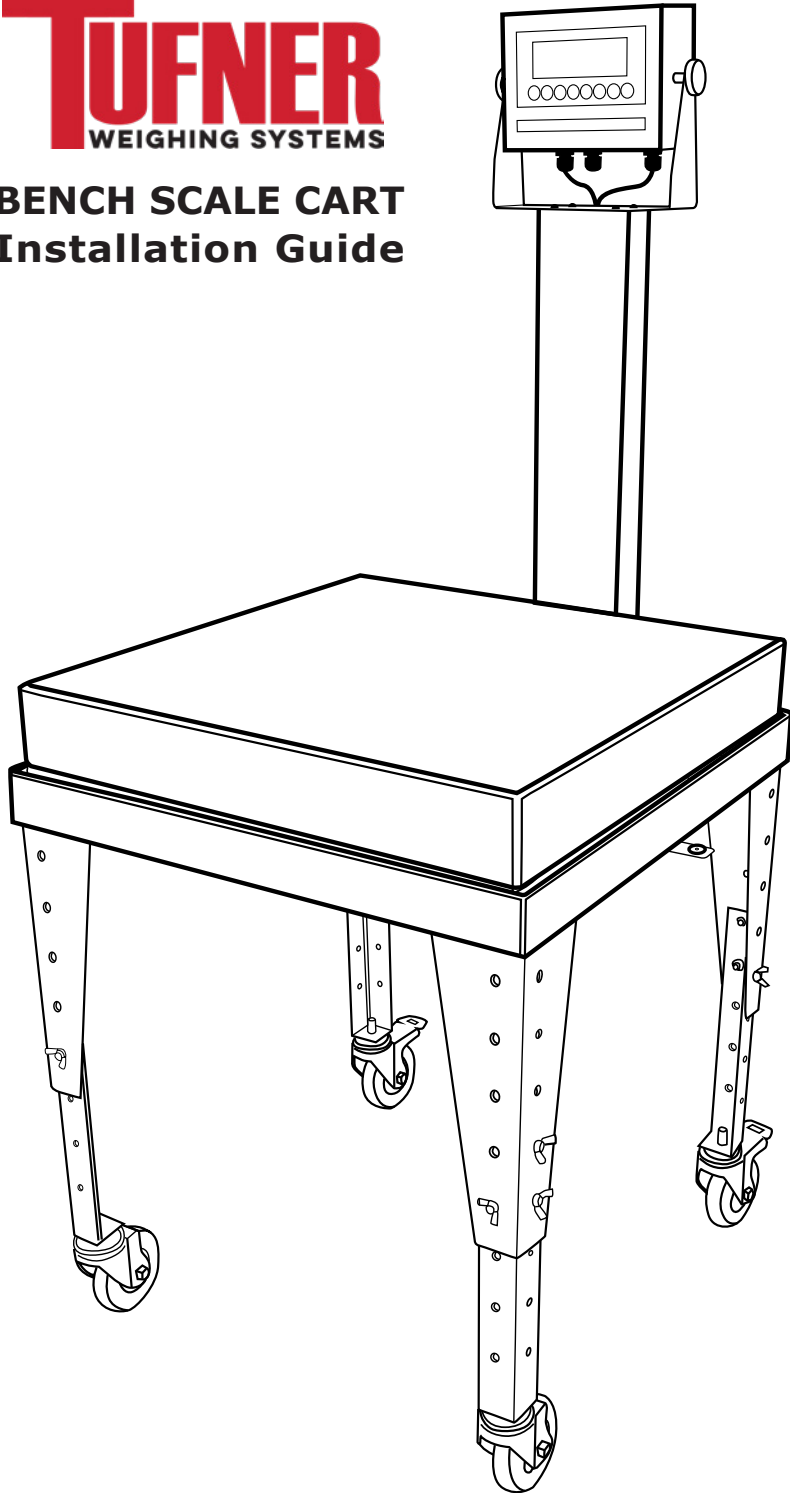
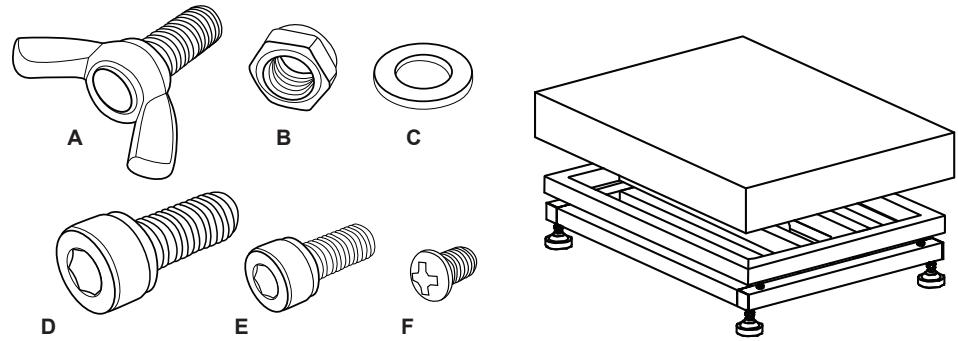




BENCH SCALE CART Installation Guide

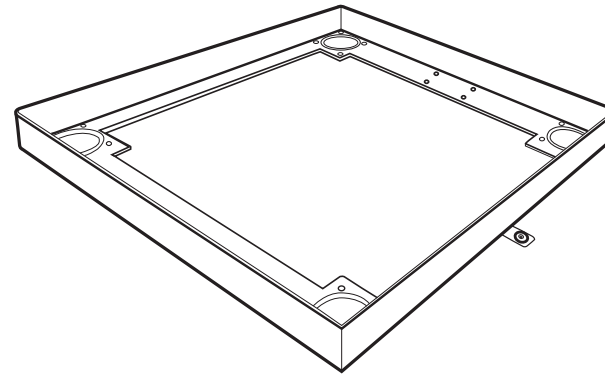


CONTENTS

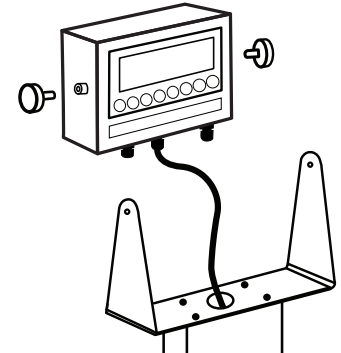


- A:** Butterfly screws
- B:** Nuts
- C:** Washers
- D:** Large Allen screws
- E:** Small Allen screws
- F:** Small Phillips screws

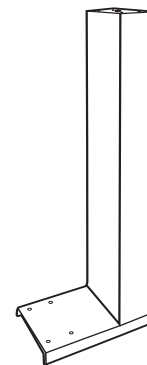
- (1) Scale base
- (1) platform cover



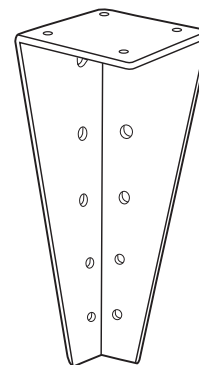
(1) Cart frame



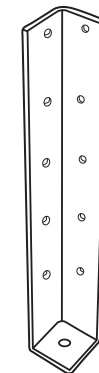
(1) Indicator, (2) Knobs,
(1) U-Bracket, (1) Cable



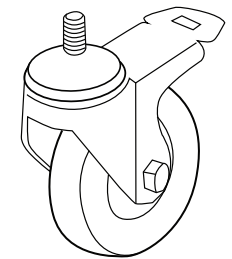
(1) Column



(4) Upper leg



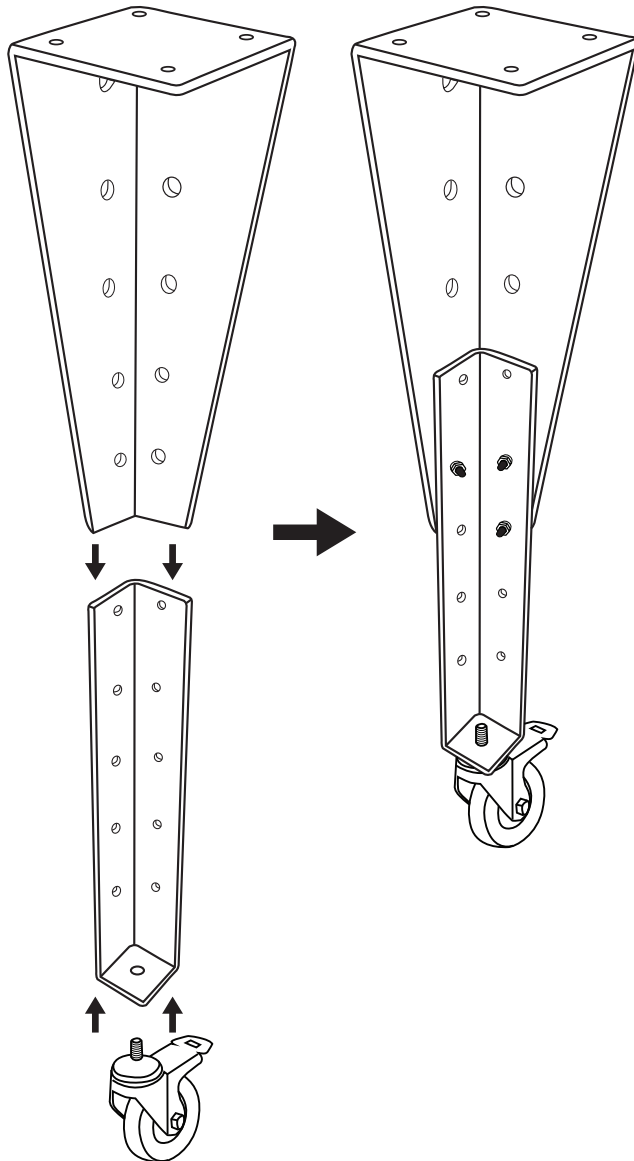
(4) Lower leg



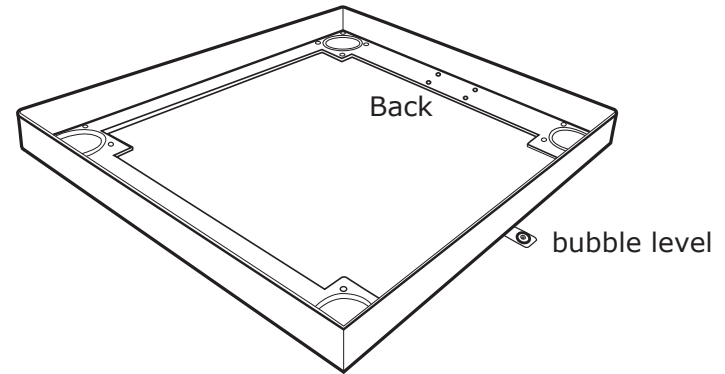
(2) Wheels
(2) Wheels w/brakes

INSTRUCTIONS

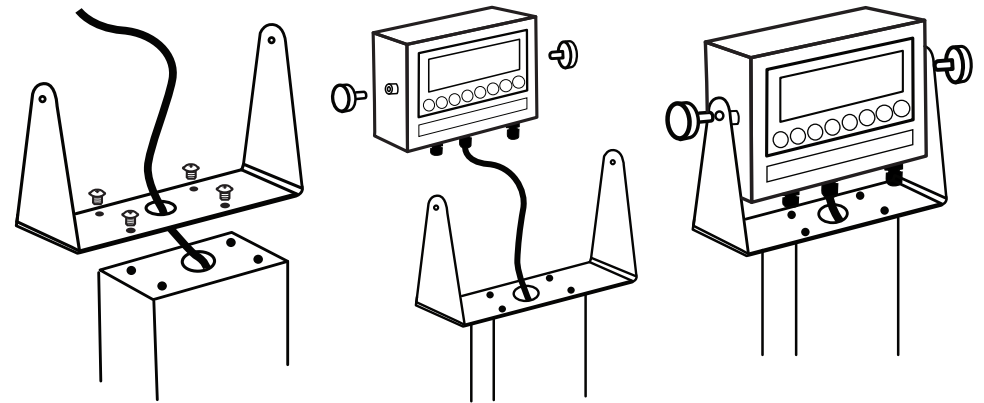
1. Using (3) butterfly screws, (3) nuts, and (3) washers for each leg, fasten the lower leg to each upper leg at your desired height.
2. Ensure that the screws are tightly fastened using pliers and a wrench
3. After assembling legs, screw in wheels to the bottom of each leg



4. Attach legs to cart frame using (4) large Allen screws for each leg
5. Ensure legs with brakes are located in the back of the cart frame (the side with 4 holes for mounting the column)



6. Once frame base is assembled and secured, use (2) small Phillips screws to attach the bubble level to the frame
7. Next, attach the U-Bracket to the top of the column using (4) small Phillips screws
8. Attach indicator head to U-Bracket using the (2) knobs



9. Carefully without tugging on the cable, attach column to base using (4) small Allen screws
10. Place bench scale platform on cart frame
11. Using the bubble levels to guide you, level the scale and cart by adjusting the feet and wheels